



LIGHT THIEF

BACKLIT DISPLAYS

Stand out above the crowd. With full 360 degree viewing, this unit steals the existing light from the ceiling fixture.

Easy to install, no tools required. Adjustable brackets attach to the light panel surround. High quality acrylic finish, easy to change out images.

Features include:

- 2 x Die-molded frames, black matte finish, 1 1/8" x 1/2" profile.
- Easy side-loading graphics
- 2 x 040" clear acrylic backer sheets
- Easy to install, no tools required
- Light weight and durable design
- Units can be shipped flat for easy on-site assembly, or pre-assembled in cartons



SPECIFICATIONS

Dimensions:

CMLT1620 – 16 3/4" x 20 5/8" x 25"

CMLT2424 – 24" x 24" x 25"

CMLT1648 – 16" x 48" x 25"

CMLT2448 – 24" x 48" x 25"

Viewable:

CMLT1620 – 15 3/4" x 19 3/4"

CMLT2424 – 23" x 23"

CMLT1648 – 15" x 47"

CMLT2448 – 23" x 47"

Image Installation:

Image is inserted on right side and backed with PETG .040" lens.

Colors/ Finishes:

Black aluminum frame construction, 1/2" slimline profile.

End caps can be printed with logos or advertising message.

Packaging:

Packed flat one unit per carton for easy on site assembly.

Instruction sheet with kit.

Accessories:

8" adjustable ceiling mounting brackets, screws and wing nuts.

ITEM#	GRAPHIC SIZE
CMLT1620	16 1/4" x 20 1/4"
CMLT2424	23 7/8" x 23 7/8"
CMLT1648	15 7/8" x 47 7/8"
CMLT2448	23 7/8" x 47 7/8"

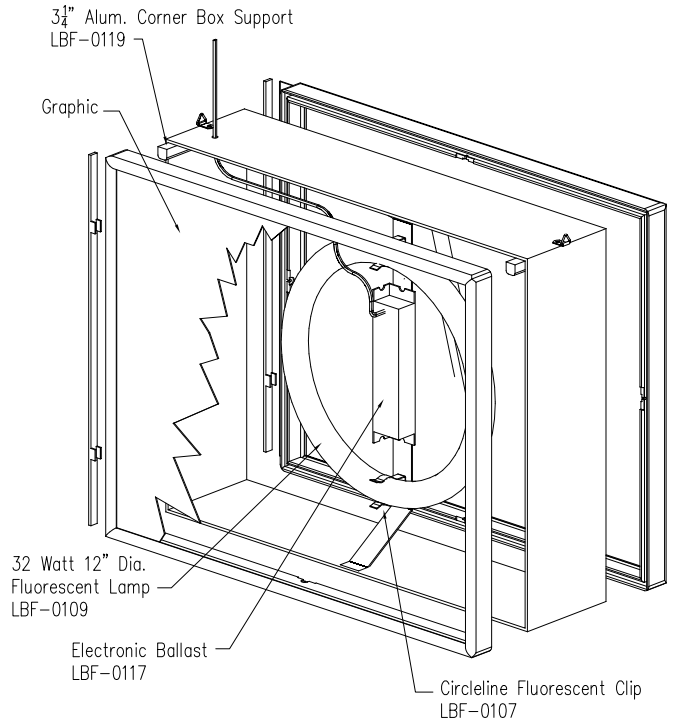
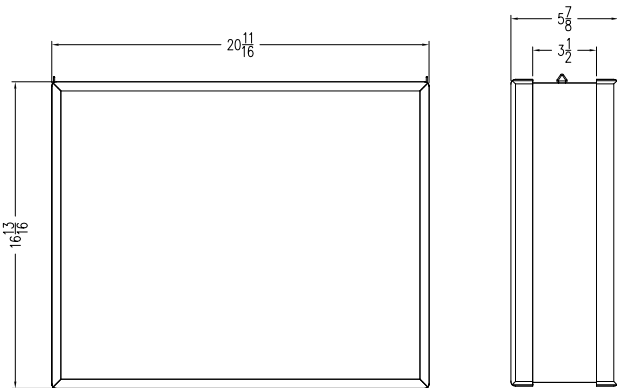


DOUBLE SIDED LIGHTBOX

BACKLIT DISPLAYS

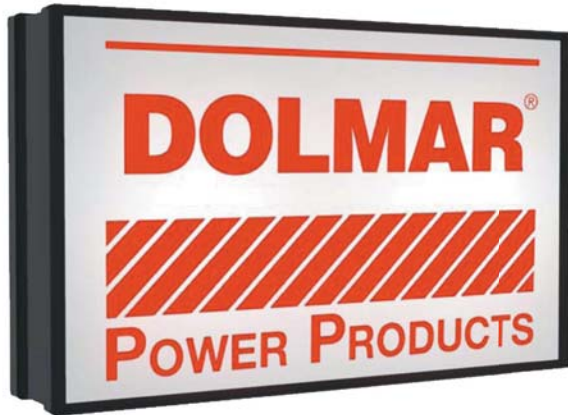
The Walls+Forms exclusive, Lights Alive double sided lightbox. It catches the consumer's eye with the ability to print illuminated logos on side panels, attracting additional attention from all angles.

The double sided light box features black frames with a profile size of 1 1/8" x 1/2", easy loading graphics, and the ability to be free standing or hanging. They are UL Approved and are designed to accept images in screen printed, digital, or photographic formats.





The Walls+Forms modular lightbox series has a stunning visual effect, each of the designs are variable in size and format. Easy to install, units link together on site.



ITEM#	GRAPHIC SIZE
DSLB1620	20 1/4" x 16 1/4"
DSLB2424	23 7/8" x 23 7/8"

SPECIFICATIONS

Dimensions:

DSLB1620 – 20 5/8" w x 16 3/4" h x 5 1/2"

DSLB2424 – 24" w x 24" h x 6"

Image Installation:

DSLB1620 – Image is inserted on right side, and backed with clear PETG .040 lens.

DSLB2424 – Image is inserted on top side, and backed with clear .125" acrylic lens.

Colors/ Finishes:

DSLB1620 – Front and back frames are black plastic molded frame with 1/2" slimline front profile.

DSLB2424 – Front and back frames are black aluminum frame with 1/2" slimline front profile.

Top, Bottom and Side:

Lightbox outer shell is White or Black fluted plastic. White acrylic outer is available as an upgrade.

Logo can be applied to all sides for additional promotion of brand or product.

Lighting:

DSLB1620 – 32 watt, 12" Circleline fluorescent tube.

DSLB2424 - 40 watt 16" Circleline fluorescent tube.

Electrical:

Electronic ballast with warranty, 8 ft. black cord set, with on/off switch. UL Approved.

Packaging:

Assembled and packed one unit per carton.

Accessories:

Supplied with 4 x washers and screws for wall mounting.

**Other sizes are available - call for quote.*

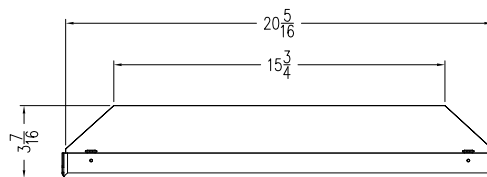
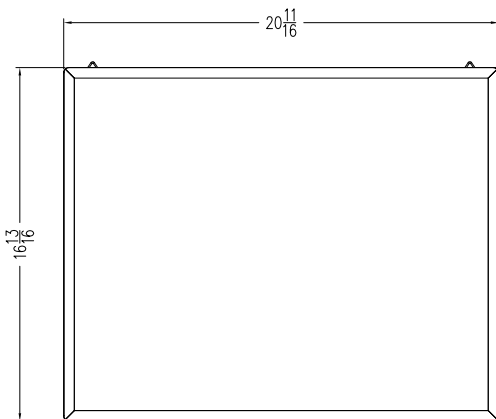
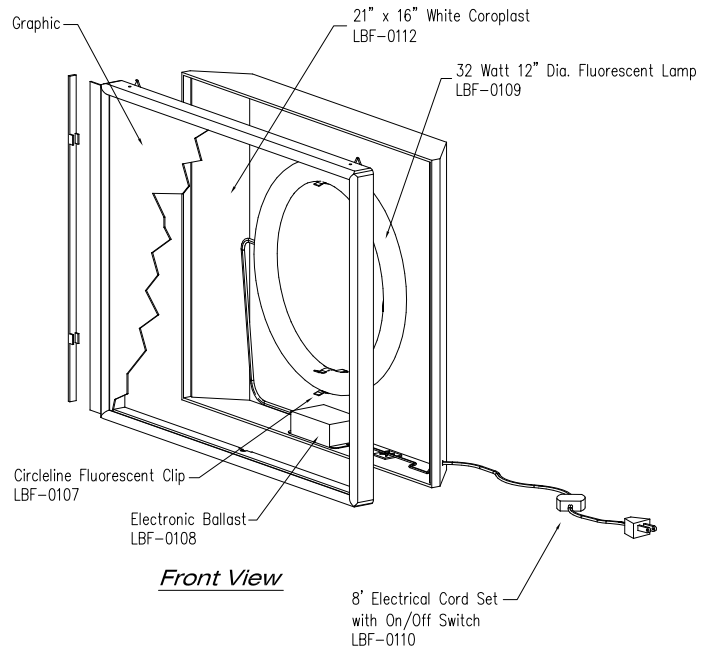


SINGLE SIDED LIGHTBOX

BACKLIT DISPLAYS

The Lights Alive single sided light box with it's contour design appears to float off the wall.

The single sided light box features black frames with a profile size of 1 1/8" x 1/2", easy loading graphics, and the ability to be free standing or hanging. They are UL Approved and are designed to accept images in screenprinted, digital, or photographic formats.



The Walls+Forms modular lightbox series has a stunning visual effect, each of the designs are variable in size and format. Easy to install, units link together on site.



SPECIFICATIONS

Dimensions:

SSLB1620 – 20 5/8" w x 16 3/4" h x 3 1/2"

SSLB2424 – 24" w x 24" h x 3 1/2"

Image Installation:

SSLB1620 – Image is inserted on right side, and backed with clear PETG .040 lens.

SSLB2424 – Image is inserted on top side, and backed with clear .125" acrylic lens.

Colors/ Finishes:

SSLB1620 – Black plastic molded frame with 1/2" slimline profile. 3mm black coroplast outer.

SSLB2424 – Black aluminum frame with 1/2" slimline profile. 3mm black coroplast outer.

Lighting:

SSLB1620 – 32 watt, 12" Circleline fluorescent tube.

SSLB2424 - 40 watt 16" Circleline fluorescent tube.

Electrical:

Electronic ballast with warranty, 8 ft. black cord set, with on/off switch.

UL Approved.

Packaging:

Assembled and packed one unit per carton.

Accessories:

Supplied with 4 x washers and screws for wall mounting.

ITEM#	GRAPHIC SIZE
SSLB1620	20 1/4" x 16 1/4"
SSLB2424	23 7/8" x 23 7/8"



BACKLIT FLOOR

STAND DISPLAYS

We offer a range of cost effective versatile floor stands, illuminated or non-lit. A definite highlight in any retail, banking, or trade show environment. Available in two, three and four sided formats. Featuring slatwall panels for hanging merchandise or literature, and easy change out of advertising images.

Our exclusive aluminum framing system is high quality and low profile. Black is the standard color, with alternatives available. The simplicity of design allows for matching to any store decor, or corporate color scheme. Marble, granite, wood grain, whatever you need.



SPECIFICATIONS

Dimensions:

DSFS7622 – 76”h x 22 1/8”w x 6” deep

DSFS8424 – 84”h x 24”w x 6” deep

Print insert:

Image is inserted on top side. 2 clear acrylic insert sheets, 1/8” backer and .040” front.

Colors/ Finishes:

Black aluminum frame construction, 1/2” front profile.

Standard outer finish, black MDF.

Bottom Section:

DSFS7622 – 48”x 22” standard black MDF finish. Slatwall upgrades are available at extra cost.

DSFS8424 – 48”x 24” standard black MDF finish. Slatwall upgrades are available at extra cost.

Base supports are 3/4” MDF.

Lighting:

DSFS7622 – 40 watt Circleline fluorescent tube.

DSFS8424 - (2) 40 watt Circleline fluorescent tubes.

Electrical:

Electronic ballast with warranty, 8 ft. black cord set, without on off switch. UL Approved.

Packaging:

Assembled and packed one unit per carton. Shipped on pallet.

ITEM#	GRAPHIC SIZE
DSFS7622	22”w x 28”h
DSF8424	23 7/8”w x 35 3/4”h